

S 75408 KG3



Refrigerator freezer combination

Instruction book

Dear customer,

Before switching on your new appliance please read these operating instructions carefully. They contain important information for safe use, for installation and for care of the appliance. Please keep these operating instructions for future reference. Pass them on to possible new owners of the appliance.

These operating instructions are for use with several technically comparable models with varying accessories. Please observe the notes which apply to your model.



Notes which are important for your safety or for the proper functioning of the appliance are stressed with a warning triangle and/or with signal words (**Warning!**, **Caution!**, **Important!**). Please observe the following carefully.



1. This symbol guides you step by step in the operation of the appliance.
2.



Supplementary information regarding operation and practical applications of the appliance appear after this symbol.



Tips and notes concerning economical and environmentally sound use of the appliance are marked with the cloverleaf.

Explanations of the technical terminology used in the operating instructions can be found at the end in the section "TechnicalTerminology". The operating instructions contain instructions for the correction of possible malfunctions by the user in the section "What to do if ...". If these instructions should not be sufficient, contact your local Service Force Centre.

Printed on paper manufactured with environmentally sound processes
he who thinks ecologically acts accordingly..

Contents

| | |
|--|----|
| Important safety information | 5 |
| General safety precautions..... | 5 |
| Precautions for child safety..... | 6 |
| Safety precautions for installation | 6 |
| Safety precautions for isobutane | 6 |
| Installing the appliance | 7 |
| Transportation, unpacking..... | 7 |
| Cleaning | 7 |
| Placement | 8 |
| Installation of the Carbon Filter | 9 |
| Change of door opening direction | 10 |
| Instructions for the User | 12 |
| General Information | 12 |
| Description of the appliance, main parts | 13 |
| Operating and indicator panel Fridge | 14 |
| Temperature setting buttons..... | 14 |
| Temperature display | 14 |
| Starting Up - Setting the Temperature | 15 |
| COOLMATIC..... | 15 |
| Holiday function | 15 |
| How to use the refrigerator | 16 |
| Interior Accessories | 16 |
| Storage Shelves | 16 |
| Air filter | 17 |
| Drawer | 17 |
| Storing in the refrigerator | 18 |
| Chiller Zone | 18 |
| Storage time and temperature of foods | 18 |
| Operating and indicator panel Freezer | 19 |
| Temperature setting buttons..... | 19 |
| Temperature display | 19 |
| Starting Up - Setting the Temperature | 20 |

| | |
|--|-----------|
| FROSTMATIC..... | 20 |
| Alarm reset button..... | 20 |
| Switching the Appliance off | 21 |
| Freezing and storing frozen food | 21 |
| Storing in the freezer | 22 |
| How to make ice cubes..... | 22 |
| Some useful information and advice | 23 |
| Hints and ideas..... | 23 |
| How to save energy..... | 23 |
| The appliance and environment..... | 23 |
| Maintenance | 24 |
| Defrosting | 24 |
| Regular cleaning..... | 24 |
| Internal cleaning..... | 24 |
| External cleaning..... | 24 |
| Changing the Carbon Filter..... | 25 |
| If something does not work..... | 26 |
| How to change the bulb | 28 |
| Electrical connection..... | 28 |
| Electrical Requirements..... | 29 |
| Storage time chart (1) | 30 |
| Time and method of storage of fresh foods in the refrigerator..... | 30 |
| Storage time chart (2)..... | 31 |
| Storage time of deep-frozen and products..... | 31 |
| Service and Spare Parts..... | 32 |
| Customer Care Department | 32 |
| Guarantee Conditions | 33 |
| Standard guarantee conditions | 33 |
| Exclusions..... | 33 |
| European Guarantee..... | 34 |

Important safety information

General safety precautions

- Keep these instructions and they should remain at the appliance when moving away or changing owner.
- This appliance is designed for storing food, domestic use according to these instructions only.
- **Specialised companies that are qualified to do so by the manufacturer must carry out service and repairs including repairing and changing the power cord.** Accessory parts supplied by them should be used only for repairing. Otherwise the appliance can be damaged or can cause other damage or injury.
- The appliance is out of circuit only in that case if the plug is removed from the socket. Before cleaning and maintenance always unplug it (do not get it by the cable). If the socket is difficult to reach, switch off the appliance by cutting off the current.
- Power cord must not be lengthened.
- **Make sure that the power plug is not squashed or damaged by the back of the fridge/freezer.**
 - A damaged power plug may overheat and cause a fire.
- **Do not place heavy articles or the fridge/freezer itself on the power cord.**
 - There is a risk of a short circuit and fire.
- **Do not remove the power cord by pulling on its lead, particularly when the fridge/freezer is being pulled out of its niche.**
 - Damage to the cord may cause a short-circuit, fire and/or electric shock.
 - If the power cord is damaged, it must be replaced by a certified service agent or qualified service personnel.
- **If the power plug socket is loose, do not insert the power plug.**
 - There is a risk of electric shock or fire.
- Without the lamp cover of interior lighting you must not operate the appliance.
- When cleaning, defrosting, taking out frozen food or ice tray do not use sharp, pointed or hard devices, as they can cause damage to the appliance.
- Be careful not to allow liquids to the temperature control and lighting box.
- Ice and ice-cream can cause hurt if they are eaten immediately after removal from the frozen food compartment.
- After dissolving frozen food must not be refrozen, it must be used up as soon as possible.
- Store pre-packed frozen food in accordance with the frozen food manufacturer's instructions.
- You must not make defrosting faster with any electric heating appliance or chemicals.

- Do not put hot pot to the plastic parts.
- Do not store flammable gas and liquid in the appliance, because they may explode.
- Do not store carbonated drinks, bottled drinks and bottled fruits in the frozen food compartment.
- Check and clean the outlet of melting water coming during defrosting regularly. If it is clogged the melting water gathered can cause earlier failure.

Precautions for child safety

- Do not allow children to play with the packaging of the appliance. Plastic foil can cause suffocation.
- Adults must handle the appliance. Do not allow children to play with it or its controlling parts.
- If you are discarding the appliance pull the plug out of the socket, cut the connection cable (as close to the appliance as you can) and remove the door to prevent playing children to suffer electric shock or to close themselves into it.

Safety precautions for installation

- Put the appliance to the wall to avoid touching or catching warm parts (compressor, condenser) to prevent possible burn.
- When moving the appliance take care of the plug not to be in the socket.
- When placing the appliance take care not to stand it on the power cord.
- Adequate air circulation should be around the appliance, lacking this leads to overheating. To achieve sufficient ventilation follow the instructions relevant to installation.

Safety precautions for isobutane

Warning

- The refrigerant of the appliance is isobutane (R 600a) that is inflammable and explosive to a greater extent.
- Keep ventilation openings, in the appliance enclosure or in the built-in structure, clear of obstruction.
- Do not use mechanical devices or other means to accelerate the defrosting process, other than those recommended by the manufacturer.
- Do not damage the refrigerant circuit.
- Do not use electrical appliances inside the food storage compartments of the appliance, unless they are of the type recommended by the manufacturer.

For the safety of life and property keep the precautions of these user's instructions as the manufacturer is not responsible for damages caused by omission.

Installing the appliance

Transportation, unpacking



It is recommended to deliver the appliance in original packaging, in vertical position considering the protective warning on packaging.

After each transportation the appliance must not be switched on for approx. 2 hours.

Unpack the appliance and check if there are damages on it. Report possible damages immediately to the place you bought it. In that case retain packaging.

Cleaning

Remove every adhesive tape and everything else, which ensure the accessories not to move in the appliance.

Wash the inside of the appliance using lukewarm water and mild detergent. Use soft cloth.

After cleaning wipe out the inside of the appliance.

Placement

The ambient temperature has an effect on the energy consumption and proper operation of the appliance.

When placing, take into consideration that it is practical to operate the appliance between ambient temperature limits according to the climate class that is given in the chart below and can be found in the data label.

| Class of climate | Ambient temperature |
|------------------|---------------------|
| SN | +10...+32°C |
| N | +16...+32°C |
| ST | +18...+38°C |

If the ambient temperature goes below the lower data the temperature of the cooling compartment can go beyond the prescribed temperature.

If the ambient temperature goes beyond the upper data this means longer operating time of the compressor, breakdown in the automatic defrosting increasing temperature in the cooling compartment or increasing energy consumption.

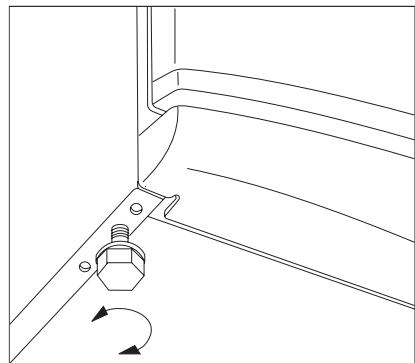
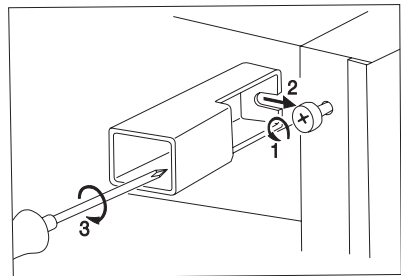
In the bag of the accessories there are two spacers which must be fitted in the two top corners.

Slacken the screws and insert the spacer under the screw head, the re-tighten the screws.

When placing the appliance ensure that it stands level.

This can be achieved by two adjustable feet at the bottom in front.

Do not stand the appliance on a sunny place or close to a radiator or cooker.



If it is unavoidable because of furnishing and the appliance has to be stood near a cooker take these minimum distances into consideration:

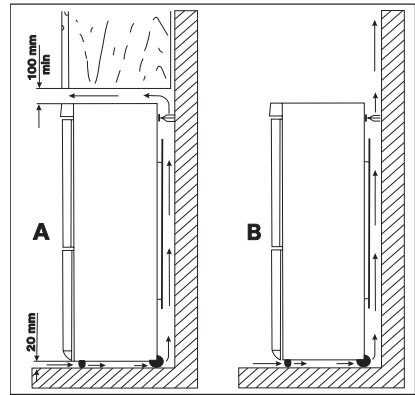
- In case of gas or electric cooker 3 cm must be left, when it is less put a 0,5-1 cm non-flam insulation between the two appliances.
- In case of oil or coal-fired stove the distance must be 30 cms since they give off more heat.

The refrigerator is designed to operate when it is totally pushed to the wall.



When placing the refrigerator keep minimal distances recommended in figure.

- A: placing it under a wall-cupboard
B: placing it freely



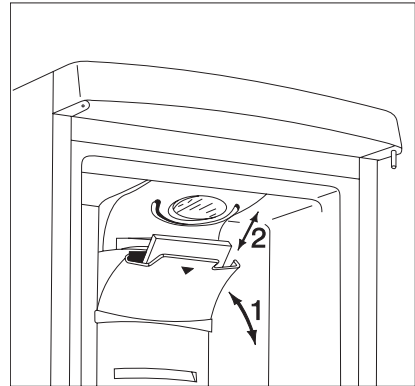
Installation of the Carbon Filter

On delivery the carbon filter is in a plastic bag to maintain it's duration and characteristics. The filter should be placed behind the flap before the appliance is turned on.

1. Pull the flap outwards. (1)
2. Remove the filter from the plastic bag.
3. Insert the filter in the slot found in the back of the flap cover (2).
4. Close the flap cover.

i During operation, always keep the air ventilation flap closed.

i The filter should be handled carefully so fragments do not loosen from the surface.



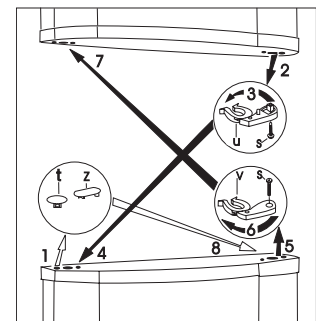
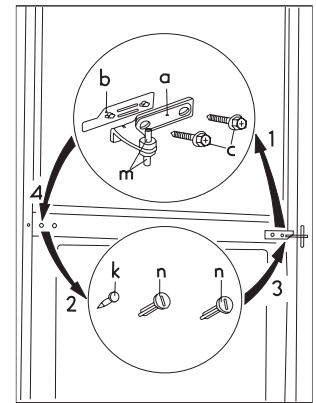
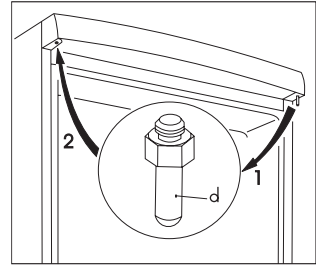
Change of door opening direction

Should the setting-up place or handling demand it, door-opening direction can be refitted from right-handed to left-handed.

Appliances on the market are right-handed.

Following operations are to be done on the basis of figures and explanations:

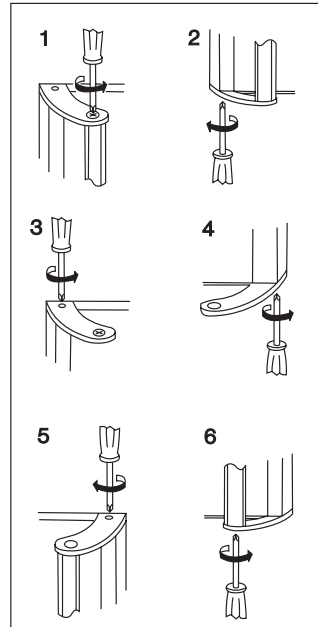
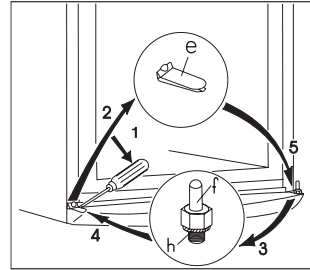
1. To perform the operations listed below it is recommended to ask another person for help who safely can keep the doors while performing the operations.
2. Disconnect the appliance from the electricity supply.
3. Open the doors and dismount the double door hinge (a,b) by removing the screws (2 pieces) (c). (fig. 2)
4. Take off the double door hinge (a,b,c) by gradually removing it from the cabinet, slightly tilting both doors. Do not forget to remove the plastic spacer (b) under the hinge. (fig. 2)
5. Take off the refrigerator door by pulling it slightly downwards.
6. Take off the freezer door by pulling it slightly upwards.
7. Unscrew the top door hinge pin (d) of the refrigerator then screw it back on the other side. (fig. 1)
8. Remove the insert of the plinth (e) by a screw-driver. (fig. 4)
9. Unmount the lower hinge pin (f) and its washer (h) and mount them on the other side. (fig. 4)
10. Replace the insert of the plinth (e) on the other side.
11. Remove the covering nails (3 pieces) (n,k) of the double door holder on the left side and put them to the other side. (fig. 2)
12. Remove the (t, z) plugs from both doors. (fig. 3)
13. Remove the (u, v) door closing devices by unscrewing the (s) screw.
14. Unscrew the top handle bracket from the handle rod (1). Unscrew the bottom handle bracket from the door (2). Unscrew the top



handle bracket from the door (3) and screw onto the bottom righthand side of the door (4). (fig.5)

15. Turn the handle bracket with the handle rod 180° and screw them to the door (5) and the fitted handle bracket (6). (fig.5) Do not over-tighten the screw (max. 2 Nm) as you may damage the door handles.
16. Replace the (u, v) door devices on the opposite side of the other door after turning them, then fix them by screwing the (s) screw.
17. Replace the (t, z) plugs on the opposite side.
18. Fit the pin of the double door hinge (m) into the left drill of the freezer door. (fig. 2)
19. Fit the freezer door to the lower door hinge pin (f). (fig. 4)
20. Fit the refrigerator door to the upper door hinge pin (d) then slightly tilting both doors fit the pin of the double door hinge (m) into the left drill of the refrigerator door.
21. Opening both doors fix the double door hinge onto the left side using the screws (2 pieces) (c). Do not forget to replace the plastic spacer (b) under the hinge. Be careful that the door edges are parallel with the edge of the mantle.
22. Put the appliance to its place, set it level, and apply to voltage it.

In case you do not want to perform the procedures above, call the nearest brand-mark service. Technicians will accomplish the refitting expertly for charge.



Instructions for the User

General Information

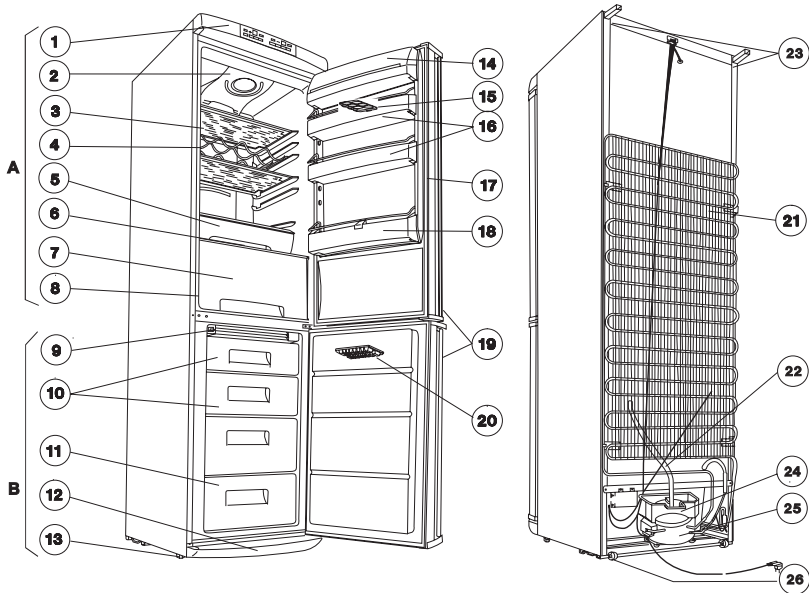
The official designation of the appliance is "frostfree refrigerator-freezer combination with one motor compressor and freezer placed in the lower part". The appliance has - besides the general services - a freezer with its own door and is completely separated from the other unit.

According to this the appliance is suitable for storing frozen and deep-frozen food, freezing products in quantity given in the user's instructions at home and making ice.

The appliance can meet the requirements of standards between different temperature limits according to the climate class.

The letter symbol for climate class can be found on the data label.

Description of the appliance, main parts



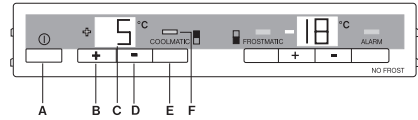
A - Refrigerator

B - Freezer

- | | |
|--------------------------------------|-------------------------------|
| 1. Top with indicating switch | 14. Butter compartment lid |
| 2. Air distributing and lighting box | 15. Egg tray |
| 3. Glass shelves | 16. Door shelf |
| 4. Bottle rack | 17. Door gasket |
| 5. Glass shelf | 18. Bottle shelf |
| 6. Chiller Zone | 19. Handles |
| 7. Drawer | 20. Ice tray |
| 8. Data label | 21. Condenser |
| 9. Air grid | 22. Defrost water outlet tube |
| 10. Storing compartment(s) | 23. Spacer |
| 11. Freezing compartment with drawer | 24. Evaporator tray |
| 12. Bottom plinth | 25. Compressor |
| 13. Adjustable feet | 26. Rollers |

Operating and indicator panel Fridge

- A. ON/OFF button
- B. Temperature setting button (for warmer temperatures)
- C. Temperature display
- D. Temperature setting button (for colder temperatures)
- E. COOLMATIC function "on" indicator (yellow)
- F. COOLMATIC button



Temperature setting buttons

The temperature is adjusted using the (B) and (D) buttons. These buttons are connected to the temperature display.

- The temperature display is switched over from the display of the ACTUAL temperature (Temperature display is illuminated) to the display of the DESIRED temperature (Temperature display flashes) by pressing one of the two buttons, (B) or (D).
- Each time one of the two buttons is pressed again the DESIRED temperature is adjusted by 1 °C. The DESIRED temperature must be reached within 24 hours.

If neither button is pressed, the temperature display automatically switches back after a short period (approx. 5 sec.) to the display of the ACTUAL temperature.

DESIRED temperature means:

The temperature that has been selected for inside the fridge. The DESIRED temperature is indicated by flashing numbers.

ACTUAL temperature means:

The temperature display indicates the current temperature inside the fridge.


The ACTUAL temperature is indicated with illuminated numbers.

Temperature display

The temperature display can indicate several pieces of information in the fridge (ACTUAL temperature) is displayed.

- During normal operation, the temperature currently present in the fridge (ACTUAL temperature) is displayed.
- When the temperature is being adjusted a flashing display indicates the fridge temperature currently set (DESIRED temperature).

Starting Up - Setting the Temperature

-  1. Plug the mains plug into the mains socket.
2. Press (A) button. The appliances start.
3. Press either the (B) or (D) button. The temperature display switches over and the DESIRED temperature currently set flashes on the temperature display.
4. Set the required temperature by pressing the (B) or (D) buttons (see section "Temperature setting buttons"). The temperature display will immediately show the changed setting. Each time the button is pressed the temperature is adjusted by 1 °C.

From a food safety point of view +5 °C should be considered sufficiently cold for storing food in the fridge.


5. Once the required temperature has been set, after a short period (approx. 5 sec.) the temperature display will change and again indicate the current ACTUAL temperature inside the fridge. The display will change from flashing to continuous illumination.



Information! When the setting is changed, the compressor does not start immediately if automatic defrosting is currently taking place. As the storage temperature within the fridge is reached quickly you can store food immediately after switching on.

COOLMATIC

The COOLMATIC function is suited for quick cooling of large quantities of goods in the refrigerator.

-  1. The COOLMATIC function is switched on by pressing the COOLMATIC button (F).


The yellow light (E) illuminates.

The COOLMATIC function now provides for intensive cooling. A DESIRED temperature of +2°C is automatically selected. The COOLMATIC function is ended automatically after a period of 6 hours.

2. The COOLMATIC function can be ended manually at any time by pressing the COOLMATIC button again. The yellow light goes out.

Holiday function

The holiday function sets the temperature at +15°C. This function allows you to keep the refrigerator shut and empty during a long holiday period (e.g. the summer holidays) without the formation of a bad smell.

-  1. To turn on the holiday function, press button (B).
2. Press continuously button (B) until the letter "H" (Holiday) appears on the temperature indicator. The temperature indicator can modify the displayed temperature up to +8°C, 1° at a tim. 8°C will be followed by the letter "H". Now the refrigerator is in the "holiday" function in the energy-saving mode. The fridge compartment must be empty with holiday function on.



Important: If the fridge compartment is off, the door must be closed in order that the freezer is working properly.

In this condition, the electronic control of the appliance functions automatically and periodically circulating the air to prevent unpleasant smells and humidity.

How to use the refrigerator



For adequate cooling developing interior air circulation is necessary. For this reason you are asked not to cover the air circulation gaps behind the shelves (e.g. with tray etc).



Do not put hot food into the refrigerator. Allow it to reach room temperature naturally. In this way the unnecessary frost building up can be avoided.




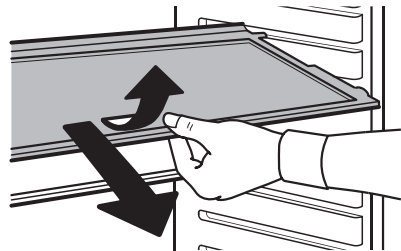
Foods can take over odours from each other. So it is essential to put foods in closed dishes or wrap them in cellophane, aluminium foil, grease-proof paper or cling film before placing them into the refrigerator. This way foods will keep their moisture e.g. vegetables will not dry out after some days.

Interior Accessories

Storage Shelves

Various glass storage shelves are included with your appliance. The height of the storage shelves can be adjusted:

-  1. To do this pull the storage shelf forward until it can be swivelled upwards or downwards and removed.
2. Please do the same in reverse to insert the shelf at a different height.

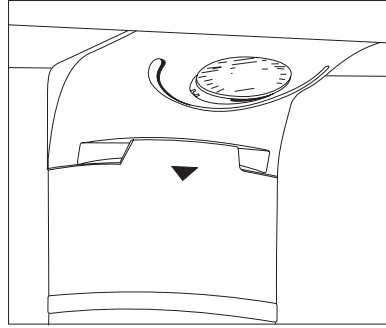


Air Filter

Your appliance is equipped with a carbon filter behind a flap in the rear wall of the air distributing box.

The filter purifies the air from unwanted odours in the fridge compartment meaning that the storage quality will be further improved.

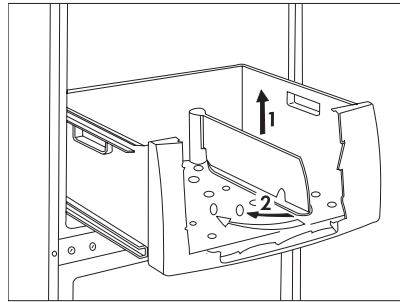
Note: Always keep the air ventilation flap closed.



Drawer

The drawer is suitable for storing fruit and vegetables.

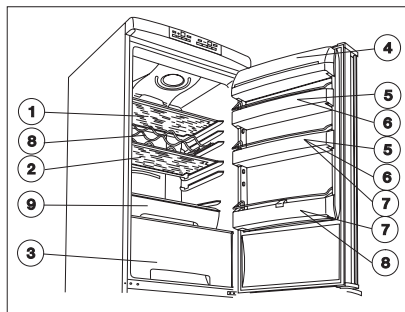
There is a separator inside the drawer that can be placed in different position to allow for the subdivision best suited to personal needs.



Storing in the refrigerator

When placing the different kinds of food take into consideration the sketch below in figure:

- ① Confectionery, ready-cooked foods, foods in dishes, fresh meat, cold cuts, drinks
- ② Milk, dairy products, foods in dishes
- ③ Fruits, vegetables, salads
- ④ Cheese, butter
- ⑤ Eggs
- ⑥ Yoghurt, sour cream
- ⑦ Small bottles, soft drinks
- ⑧ Big bottles, drinks
- ⑨ Fish, meat, seafood



Chiller Zone

The product equipped with this feature in the fridge part. This compartment is indicated for the best conservation of fresh food like fish, meat, seafood because the temperature is lower here than in the rest of the fridge. It is placed in the lower part, directly above of the vegetable drawer.

Storage time and temperature of foods

The storage time chart at the end of the instruction book gives information about storage time.

The storage time can not be determined exactly in advance, as it depends on the freshness and handling of the cooled food. That is why the storage time made known is only informative.

If you do not want to use up deep-frozen foods bought immediately they can be stored for about 1 day (until dissolving) in the refrigerator.

Operating and indicator panel Freezer

G. FROSTMATIC function "on" indicator (yellow)

H. FROSTMATIC button

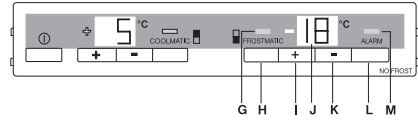
I. Temperature setting button (for warmer temperatures)

J. Temperature display

K. Temperature setting button (for colder temperatures)

L. Alarm reset button

M. Alarm reset light



Temperature setting buttons

The temperature is adjusted using the (I) and (K) buttons. These buttons are connected to the temperature display (J).

- The temperature display is switched over from the display of the ACTUAL temperature (Temperature display is illuminated) to the display of the DESIRED temperature (Temperature display flashes) by pressing one of the two buttons, (I) or (K).
- Each time one of the two buttons is pressed again the DESIRED temperature is adjusted by 1 °C. The DESIRED temperature must be reached within 24 hours.

If neither button is pressed, the temperature display automatically switches back after a short period (approx. 5 sec.) to the display of the ACTUAL temperature.

DESIRED temperature means:

The temperature that has been selected for inside the freezer. The DESIRED temperature is indicated by flashing numbers.

ACTUAL temperature means:


The temperature display indicates the current temperature inside the freezer. The ACTUAL temperature is indicated with illuminated numbers.

Temperature display

The temperature display can indicate several pieces of information.


- During normal operation, the temperature currently present in the freezer (ACTUAL temperature) is displayed.
- When the temperature is being adjusted a flashing display indicates the freezer temperature currently set (DESIRED temperature).

Starting Up - Setting the Temperature

-  1. Plug the mains plug into the mains socket.
 2. Press (A) button. The alarm light (M) flashes since the temperature is reached. The buzzer sounds.
 3. Pressing button (L) the buzzer stops.
 4. Press either the (I) or (K) button. The temperature display switches over and the DESIRED temperature currently set flashes on the temperature display.
 5. Set the required temperature by pressing the (I) or (K) buttons (see section "Temperature setting buttons"). The temperature display will immediately show the changed setting. Each time the button is pressed the temperature is adjusted by 1 °C.
- From a food safety point of view -18 °C should be considered sufficiently cold for storing food in the freezer.

FROSTMATIC

The FROSTMATIC function accelerates the freezing of fresh food and, at the same time, protects foodstuffs already stored from undesirable warming.

-  1. The FROSTMATIC function is switched on by pressing the FROSTMATIC button (H).
The yellow light (G) illuminates.
If the FROSTMATIC function is not ended manually, the appliance will switch off the FROSTMATIC function after about 52 hours. The yellow light goes out.
2. The FROSTMATIC function can be ended manually at any time by pressing the FROSTMATIC button again. The yellow light goes out.

Alarm reset button


In the event of an abnormal temperature rise inside the freezer (e.g. power cut) warning light (M) will start to flash and a buzzer will sound. Push the alarm reset button (L) to stop the buzzer sound, while the warning light will continue to flash.

The buzzer will stop automatically when the temperature has returned to normal while the warning light (M) will continue to flash. If we press the alarm reset button (L) we stop the warning light and at the same time the indicator show for about 5 seconds the warmest temperature reached in the compartment.

Switching the Appliance off

To switch off, hold down the (A) button.

If the appliance is not going to be used for an extended period:

-  1. Turn off the appliance.
2. Remove the mains plug or switch off or turn out the circuit breaker or fuse.
3. Defrost the freezer compartment and clean the appliance thoroughly (see section: "Cleaning and Maintenance").
4. Finally, leave the doors open so as to avoid a build up of odours.

Freezing and storing frozen food

You can use your freezer for freezing fresh food yourself.



Important!

- The temperature in the freezer compartment must be $-18\text{ }^{\circ}\text{C}$ or colder before freezing food.
- Please observe the freezing capacity given on the rating plate. The freezing capacity is the maximum quantity of fresh food that can be frozen within a period of 24 hours. If you wish to freeze food several days in a row, please observe a maximum capacity of only 2/3 to 3/4 of that on the rating plate. The quality of the food is best preserved when it is frozen right through to the core as quickly as possible.
- Allow warm food to cool down before freezing. The warmth will cause increased ice formation and increase the power consumption.
- Please note the maximum storage times specified by the manufacturer.
- Thawed foods which have not been processed further (cooked into meals) may not under any circumstances be frozen a second time.
- Containers with flammable gases or liquids can leak at low temperatures. There is a risk of an explosion! Do not store any containers with flammable materials such as, for example, spray cans, fire extinguisher refill cartridges etc in the refrigerator/freezer.
- Bottles and cans must not be placed in the freezer. They can burst when the contents freeze, high carbonate content drinks can even explode!

Never store lemonade, juices, beer, wine, sparkling wine etc. in the freezer.

Exception: high alcohol content spirits can be stored in the freezer.

- All foods must be packed air tight prior to freezing, so that they do not dry out or lose their flavour, and so that no flavour contamination of other frozen goods occurs.

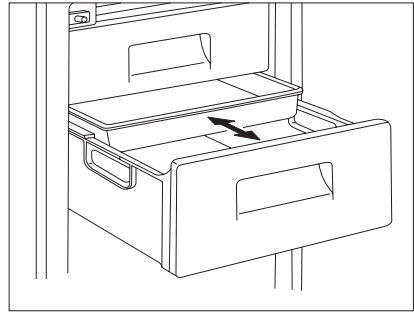


Caution! Do not touch frozen food with wet hands. Your hands could freeze to the food.

1. To achieve faster freezing of food or to freeze the maximum allowed quantity, depress the ambient switch 12 hours before loading the food without modifying the thermostat setting.
2. Place the food to be frozen in the top drawer.
3. Not open the door frequently or leave it open longer than absolutely necessary.

i The freezing tray is suitable for freezing smaller fruits (raspberry, strawberry, currant, etc.).

Fruits should be put in the tray in thin layers without packaging. After freezing they can be packed and sorted out then placed into the storing compartments.



Storing in the freezer

It is practical to replace frozen products into the basket(s) after freezing has finished. Doing this you could make room in the freezing compartment for another freezing. Intermediate freezing does not deteriorate foods already stored.

In large quantities of food are to be stored, remove the baskets except the lowermost one from appliance and place food on the cooling surface.

i Do not forget to keep to the storage time given on the packaging of frozen products if you buy them frozen. To store home-frozen products see the storing instructions placed in the door of the freezer. Symbols signify the various foods, numbers mean maximum storing time given in months.

i It is safe to store quick-frozen, frozen foods only if they have not dissolved even for a short time until placing them into the freezer. If the deep-frozen food has already dissolved, refreezing is not recommended, it has to be used up as soon as possible.

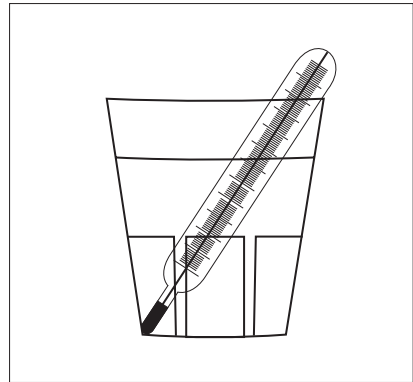
How to make ice cubes

To make ice cubes fill the enclosed ice cube tray with water and put it to the frozen food compartment. Setting thermostatic control knob to maximum position can shorten preparing time. After finishing do not forget to reset the thermostatic control to the suitable position.

Ready ice cubes can be taken out of the tray under running water then twist or hit it. If the ice tray freezes to the compartment, avoid using metal tools or knife to take it out as the cooling system can be damaged.

Some useful information and advice


1. The variable shelves are worth paying attention to, which increases the usability of the fresh food compartment considerably. Rearranging the shelves is also possible when the door is open at an angle of 90°.
2. After opening and closing the door of freezer vacuum will rise inside the appliance because of the low temperature. So wait 2-3 minutes after closing the door - if you want to open it again - while inner pressure equalises.
3. Take care of opening the freezer at a position of thermostatic control so that the inside temperature can never be warmer than -18 °C.
4. It is practical to make sure of faultless operation of the appliance daily so as to notice possible failure in time and prevent deterioration of frozen foods.
5. Normal operating sounds:
 - A thermostat controls the compressor and you will hear a faint click when thermostat cuts in and out.
 - You may hear faint gurgling or bubbling sound when the refrigerant is pumped through the coils at the rear, to the cooling plate/evaporator.
 - When the compressor is on, the refrigerant is being pumped round and you will hear a whirring sound or pulsating noise from the compressor.
 - The fridge evaporator (this part cool down the fridge section) is foamed into the cabinet. The temperature of this part changing during its work, and parallel with this its dimensions are slightly changing, too. These changes might cause a cracking noise, which is a natural, harmless phenomenon.
6. Should you want to check the temperature of food stored in the refrigerator, place a glass of water centrally in the cabinet, and put a proper thermometer with an accuracy of ± 1 °C into it. If after 6 hours you measure a value around that seen on the display, the refrigerator works properly. The measuring shall be performed under steady-stated conditions (without changing the load).
7. If the freezer temperature is measured using a thermometer, put it between the products since this will reflect the real temperature in the frozen products. It is normal that the built-in temperature display shows a temperature slightly above that measured in other ways.



Hints and ideas

In this chapter practical hints and ideas are given about how to use the appliance to reach maximum energy saving and there is environmental information about the appliance as well.


How to save energy

-  1. Avoid putting the appliance in a sunny place near anything that gives off heat.
2. Be sure that the condenser and the compressor are well ventilated. Do not cover the sections where ventilation is.
3. Wrap products in tightly closing dishes or cling film to avoid bulding up unnecessary frost.
4. Do not leave the door open longer than necessary and avoid unnecessary openings.
5. Put warm foods into the appliance only when they are at room temperature.
6. Keep the condenser clean.



The appliance and environment

This appliance does not contain gasses which could damage the ozone layer, in either its refrigerant circuit or insulation materials. The appliance shall not be discarded together with the urban refuse and rubbish. Avoid damaging the cooling unit, especially at the rear near the heat exchanger. Information on your local disposal sites may be obtained from your municipal authorities.

The materials used on this appliance marked with the symol  are recyclable.

Maintenance

Defrosting

Defrosting is automatic in this model.

Regular cleaning

Clean the equipment regularly.



Don't use detergents, abrasive or strongly odorous cleaners, waxy polishing agents or disinfectants or alcoholic products for cleaning the equipment.

Before cleaning pull out the wall plug of the equipment from the outlet.

Internal cleaning

Clean the internal parts of the equipment and the accessories with warm water and sodium bicarbonate (5 ml to 0.5 litre of water).

Rinse and dry everything thoroughly. Clean the door seal profile with clean water.

External cleaning

Clean the external parts of the equipment with warm water and sodium bicarbonate (5 ml to 0.5 litre of water).

It is recommended to remove the dust and dirt deposited on the back side of the equipment and on the condenser once or twice a year, and to clean the evaporation tray on top of the compressor.

After cleaning, reconnect the equipment to the mains supply.

Changing the Carbon Filter

To maintain the best performance the carbon filter should be changed every year.

New carbon filters can be purchased from your local dealer.

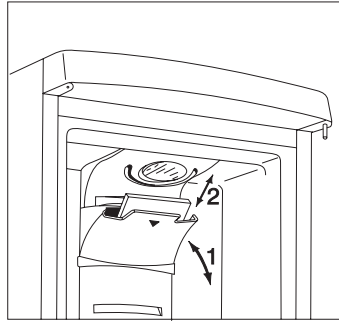
1. Pull the flap outwards. (1)
2. Remove the filter from the plastic bag. (2)
3. Insert the filter in the slot found in the back of the flap cover (2).
4. Close the flap cover.

Note: the carbon filter is a consumable accessory and as such is not covered by the guarantee.

i During operation, always keep the air ventilation flap closed.

i The filter should be handled carefully so fragments do not loosen from the surface.

! This appliance has a supplementary light at the bottom of the air distribution unit. Should this light not work, do not try to replace it yourself. Please, call the nearest brand-mark service.



If something does not work

During operation of the appliance some smaller but annoying trouble can often occur, which does not require calling a technician out. In the following chart information is given about them to avoid unnecessary charges on service.

We draw your attention that operation of appliance goes with certain sounds (compressor- and circulating sound). This is not trouble, this goes together with the operation of the appliance.



We draw it to your attention again that the appliance operates discontinuously, so the stopping of compressor does not mean being no-current. That is why you must not touch the electrical parts of the appliance before breaking the circuit.

| Problem | Possible cause | Solution |
|--|--|--|
| It is too warm in the refrigerator. | Thermostatic control can be set wrongly. | Set the thermostat knob to higher position. |
| | If products are not cold enough or placed wrongly. | Place the products according to the chapter „Storing in the refrigerator“. |
| | The door does not close tightly or it is not shut properly. | Check if the door closes well and the gasket is unhurt and clean. |
| It is too warm in the freezer. | Thermostatic control can be set wrongly. | Set the thermostat knob to higher position. |
| | The door does not close tightly or it is not shut properly. | Check if the door closes well and the gasket is unhurt and clean. |
| | Products in big quantity to be frozen were put in. | Wait some hours and then check the temperature again. |
| | Products to be frozen are placed too closely to each other. | Place the products in a way so that cold air could circulate among them. |
| Water flows at the back plate in the refrigerator. | It is normal. During automatic defrosting frost melts on the back plate. | |
| | The outlet of the chamber can be clogged up. | Clean the outlet. |
| Water flows into the chamber. | Products placed in can prevent water from flowing into the collector. | Replace the products so that they can not touch the back plate directly. |
| Water flows onto the floor. | The melting water outlet flows not into the evaporative tray above the compressor. | Put the melting water outlet to the evaporative tray. |
| There are too much frost and ice. | Products are not wrapped properly. | Wrap the products better. |
| | Doors are not shut properly or do not close tightly. | Check if the doors close well and the gaskets are unhurt and clean. |
| | The thermostatic control can be set wrongly. | Set the thermostat knob to a position that gives higher temperature. |

| Problem | Possible cause | Solution |
|--|--|--|
| The compressor operates continually. | The thermostatic control is set wrongly. | Set the thermostat knob to a position that gives higher temperature. |
| | Doors are not shut properly or do not close tightly. | Check if the doors close well and the gaskets are unhurt and clean. |
| | Products in big quantity to be frozen were put in. | Wait some hours and then check the temperature again. |
| | Too warm food was put in. | Put food at max. room temperature. |
| The appliance does not work at all. Neither cooling, nor lighting works. | Plug is not connected to the mains socket properly. | Check the connection. |
| | The fuse burnt out. | Change the fuse. |
| | The thermostatic control is not on. | Start the appliance according to instructions in chapter 'Putting it into use'. |
| | Electrical network broke down. | Get an electrician to check it. |
| The appliance is noisy. | The appliance is not supported properly. | Check if the appliance stands stable (all the four feet should be on the floor). |

Inasmuch as the advice does not lead to result, call the nearest brand-mark service.

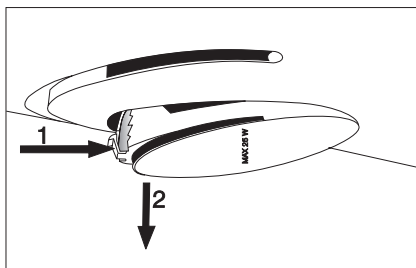
How to change the bulb

Should the light fail to work you can change it as below:

Break the circuit of the appliance.

Press the rear hook (1) of the lamppcover by a screwdriver and at the same time pull and rotate the cover in the direction indicated by the arrow (2). So the bulb can be replaced. (Bulb type: T25 Daylight 230-240 V, 25 W, E 14 thread)

After changing the bulb replace the cover, snap it in place and apply voltage to the appliance.



Electrical connection

This refrigerator is designed to operate on a 230 V AC (~) 50 Hz supply.

The plug must be put into a socket with protective contact. If there is no such, it is recommended to get an electrician to fit an earthed socket in compliance with standards near the refrigerator.

CE This appliance complies with the following E.E.C. Directives:


- 73/23 EEC of 19.02.73 (Low Voltage Directive) and subsequent modifications,
- 89/336 EEC of 03.05.89 (Electromagnetic Compatibility Directive) and subsequent modifications.

Electrical Requirements

Before switching on, make sure the electricity supply voltage is the same as that indicated on the appliance rating plate.

The appliance is supplied with a 13 amp plug fitted. In the event of having to change the fuse in the plug supplied, a 13 amp ASTA approved (BS 1362) fuse must be used. Should the plug need to be replaced for any reason. The wires in the mains lead are coloured in accordance with the following code:

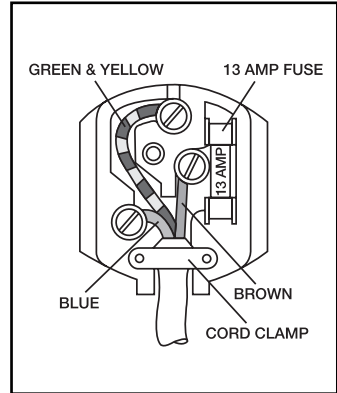
| | |
|-------------------|---------|
| Green and Yellow: | Earth |
| Blue: | Neutral |
| Brown: | Live |

The wire coloured green and yellow must be connected to the terminal marked with the letter "E" or by the earth symbol  or coloured green and yellow.

The wire coloured blue must be connected to the terminal "N" or coloured black.

The wire coloured brown must be connected to the terminal marked "L" or coloured red.

Upon completion there must be no cut, or stray strands of wire present and the cord clamp must be secure over the outer sheath.



Important!

The plug must still be accessible after the appliance has been installed.

The appliance should not be connected to the electrical supply by means of an extension cable.

In case that the electrical cable has to be replaced, please contact your local Service Force Centre.



Warning!

A cut off plug inserted into a 13 amp socket is a serious safety (shock) hazard. Ensure that it is disposed of safely.

Storage time chart (1)

Time and method of storage of fresh foods in the refrigerator

| Foods | Storage time in days | | | | | | | Method of packaging |
|---|----------------------|---|---|---|---|---|---|--|
| | 1 | 2 | 3 | 4 | 5 | 6 | 7 | |
| Raw meat | X | X | x | x | x | | | cling film, airtight |
| Cooked meat | X | X | X | x | x | x | | dish covered |
| Roasted meat | X | X | X | x | x | | | dish covered |
| Raw minced meat | X | | | | | | | dish covered |
| Roasted minced meat | X | X | x | x | | | | dish covered |
| Cold cuts, Vienna sausage | X | X | x | x | | | | cling film, cellophane, grease-proof paper |
| Fresh fish | X | x | x | | | | | cling film, airtight |
| Cooked fish | X | X | x | x | | | | dish covered |
| Fried fish | X | X | x | x | x | | | dish covered |
| Tinned fish, open | X | x | x | | | | | dish covered |
| Fresh chicken | X | X | X | x | x | x | | cling film, airtight |
| Fried chicken | X | X | X | x | x | x | | dish covered |
| Fresh hen | X | X | x | x | x | | | cling film, airtight |
| Boiled hen | X | X | x | x | x | | | dish covered |
| Fresh duck, goose | X | X | X | x | x | x | | cling film, airtight |
| Roasted duck, goose | X | X | X | X | x | x | x | dish covered |
| Butter unopened | X | X | X | X | X | X | X | original packaging |
| Butter opened | X | X | x | x | x | x | x | original packaging |
| Milk in a plastic bag | X | X | X | x | x | | | original packaging |
| Cream | X | X | x | x | | | | plastic box |
| Sour cream | X | X | X | X | x | x | x | plastic box |
| Cheese (hard) | X | X | X | X | X | X | X | aluminium foil |
| Cheese (soft) | X | X | X | X | x | x | x | cling film |
| Curds | X | X | X | X | x | x | x | cling film |
| Egg | X | X | X | X | X | X | X | |
| Spinach, sorrel | X | X | x | x | | | | cling film |
| Green peas, green beans | X | X | X | X | x | x | x | cling film |
| Mushroom | X | X | x | x | x | | | cling film |
| Carrot, roots | X | X | X | X | X | X | X | cling film |
| Bell-pepper | X | X | x | x | x | | | cling film |
| Tomato | X | X | X | X | X | X | X | cling film |
| Cabbage | X | X | X | X | X | x | x | cling film |
| Quickly rotting fruits (strawberry, raspberry, etc) | X | X | X | x | x | | | cling film |
| Other fruits | X | X | X | X | x | x | x | cling film |
| Tinned fruits opened | X | X | X | x | x | | | dish covered |
| Cakes filled with cream | X | X | x | x | | | | dish covered |

Notation:

X usual storage time

x possible storage time (concerns to really fresh product only)

Storage time chart (2)

Storage time of deep-frozen and frozen products

| Foods | In the fresh food compartment +2 - +7°C | In the **** frozen food compartment -18°C |
|--|---|---|
| Vegetables: green beans, green peas, mixed vegetables, marrow, corn, etc. | 1 day | 12 months |
| Ready-cooked foods: vegetable dish, trimmings, with meat, etc. | 1 day | 12 months |
| Ready-cooked foods: sirloin steaks, stew from knuckle of ham, meat from pig pudding, etc. | 1 day | 6 months |
| Foods from potatoes, pasta: mashed potato, gnocchi, dumpling, pasta filled with jam, chips | 1 day | 12 months |
| Soups: meat-broth, soup from green beans, soup from green peas, etc. | 1 day | 6 months |
| Fruits: sour cherry, cherry, gooseberry, fruit cream, mashed maroon | 1 day | 12 months |
| Meat: chicken, duck, goose fillets, tuna fish 1 day | 1 day 6 months | 5 months |
| Popsicle, ice-cream | 1 day | 3 weeks |

Service and Spare Parts

In the event of your appliance requiring service, or if you wish to purchase spare parts, please contact your local Service Force Centre by telephoning:

0870 5 929929

Your telephone call will be automatically routed to the Service Force Centre covering your post code area.

For address of your local Service Force Centre and further information about Service Force, please visit the website at www.serviceforce.co.uk.

Before calling out an engineer, please ensure you have read details under the heading "Something Not Working".

When you contact the Service Force Centre you will need to give following details:

1. Your name, address and post code
2. Your telephone number
3. Clear and concise details of the fault
4. The model and serial number of the appliance. (found on the rating plate).
5. The purchase date

Please note that a valid purchase receipt or guarantee documentation is required for in-guarantee service calls.

Customer Care Department

For general enquiries concerning your AEG appliance or for further information on AEG products, please contact our Customer Care Department by letter or telephone at the address below or visit our website at www.aeg.co.uk.

Customer Care Department

AEG Domestic Appliances

Addington Way,

Luton,

Bedfordshire

LU4 900

Tel: 08705 350 350*

*calls to this number may be recorded for training purposes

GUARANTEE CONDITIONS

Standard guarantee conditions

We, AEG, undertake that if within 12 months of the date of the purchase this AEG appliance or any part thereof is proved to be defective by reason only of faulty workmanship or materials, we will, at our discretion repair or replace the same FREE OF CHARGE for labour, materials or carriage on condition that:

- The appliance has been correctly installed and used only on the electricity or gas supply stated on the rating plate.
- The appliance has been used for normal domestic purposes only, and in accordance with the manufacturer's operating and maintenance instructions.
- The appliance has not been serviced, maintained, repaired, taken apart or tampered with by any person not authorised by us.
- All service work under this guarantee must be undertaken by a Service Force Centre. Any appliance or defective part replaced shall become the Company's property.
- This guarantee is in addition to your statutory and other legal rights.
- Home visits are made between 8.30am and 5.30pm Monday to Friday. Visits may be available outside these hours in which case a premium will be charged.

Exclusions

This guarantee does not cover:

- Damage or calls resulting from transportation, improper use or neglect, the replacement of any light bulbs or removable parts of glass or plastic.
- Costs incurred for calls to put right an appliance which is improperly installed or calls to appliances outside the United Kingdom.
- Appliances found to be in use within a commercial environment, plus those which are subject to rental agreements.
- Products of AEG manufacture which are not marketed by AEG.

European Guarantee

If you should move to another country within Europe then your guarantee moves with you to your new home subject to the following qualifications:

- The guarantee starts from the date you first purchased your product.
- The guarantee is for the same period and to the same extent for labour and parts as exists in the new country of use for this brand or range of products.
- This guarantee relates to you and cannot be transferred to another user.
- Your new home is within the European Community (EC) or European Free Trade Area.
- The product is installed and used in accordance with our instructions and is only used domestically, i.e. a normal household.
- The product is installed taking into account regulations in your new country.

Before you move please contact your nearest Customer Care centre, listed below, to give them details of your new home. They will then ensure that the local Service Organisation is aware of your move and able to look after you and your appliances.

| | | |
|---------|-----------|----------------------|
| France | Senlis | +33 (0)3 44 62 29 29 |
| Germany | Nürnberg | +49 (0)800 234 7378 |
| Italy | Pordenone | +39 (0)800 117511 |
| Sweden | Stockholm | +46 (0)8 672 53 60 |
| UK | Luton | +44 (0) 8705 350 350 |

 **From the Electrolux Group. The world's No.1 choice.**

The Electrolux Group is the world's largest producer of powered appliances for kitchen, cleaning and outdoor use. More than 55 million Electrolux Group products (such as refrigerators, cookers, washing machines, vacuum cleaners, chain saws and lawn mowers) are sold each year to a value of approx. USD 14 billion in more than 150 countries around the world.



The symbol on the product or on its packaging indicates that this product may not be treated as household waste. Instead it shall be handed over to the applicable collection point for the recycling of electrical and electronic equipment. By ensuring this product is disposed of correctly, you will help prevent potential negative consequences for the environment and human health, which could otherwise be caused by inappropriate waste handling of this product. For more detailed information about recycling of this product, please contact your local city office, your household waste disposal service or the shop where you purchased the product.

AEG Hausgeräte GmbH
Postfach 1036
D-90327 Nürnberg

Sie können Ersatzteile, Zubehör und Pflegemittel on-line bestellen bei
<http://www.aeg-electrolux.de>

www.electrolux.com
www.aeg-electrolux.co.uk

© Copyright by AEG

Technische Änderungen vorbehalten

200370793 - 00 - 0606